

*High performance video recorders providing the highest image quality, speed and storage efficiency.*



- All resolutions including 3840 x 2160.
- All video formats.
- Non-intrusive, failsafe capture.
- True Lossless compression.
- Dual redundant LAN.
- No impact on the systems being recorded.
- Ultra low heat and power.
- Real-time remote viewing of any source (direct from LAN).

### Operational benefits

The Sentinel recorders continuously capture any DVI, DP, HDMI or VGA video sources and feature:

- High frame rates: Mouse movements or keyboard inputs are always accurate.
- Detect and record changes to the host systems resolution.
- Detect colour events such as button pushes or alert messages.
- Powered from the LAN, no extra equipment needed in the console.
- True Lossless recording.
- Continuous data rate control and parity checks.

### Green solution

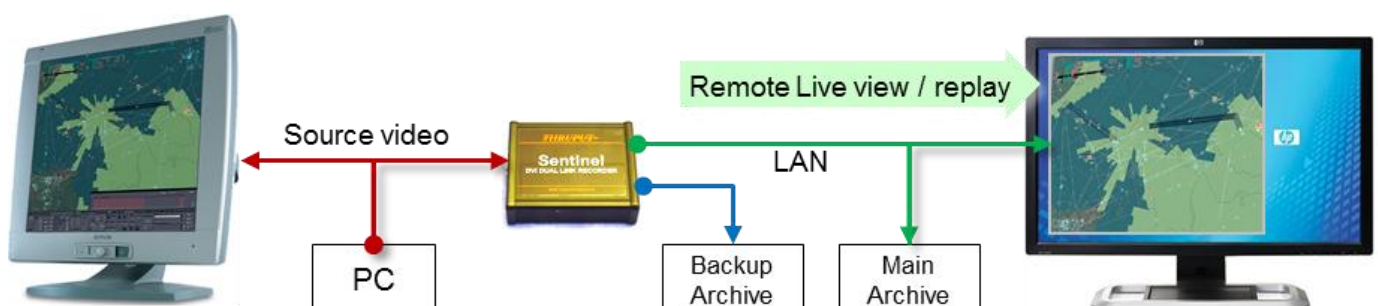
With possibly the lowest power consumption of any recording system, Sentinel does not use any hazardous materials:

- Typically below 5 W in normal operation.
- Fully RoHS compliant.

### Safety

Thruput True-pixel graphics processing:

- Continuous data rate control and parity checks.
- Supports redundant system architectures.
- Failsafe, passive video interface.



## Life cycle benefits

With greatly reduced complexity at the working position, a Sentinel recorder, powered from the LAN solution will be:

- Cost effective, simple solution to install; needs neither power nor mechanical changes to a console.
- Cheaper to run than DSP or PC based recorders.
- Minimum heat in the operations room.

## Software for systems integrators

The Sentinels are robust devices with simple logical interfaces, and Thruput provide all API data needed for the following options:

## LAN traffic level

Customer S/W captures the LAN packets, and writes their data to disc in the way that best suits the existing system.

## Stored data level

The customer can use the existing data capture S/W of Sentinel and their own HMI to bring the Sentinels under the control of existing management and replay systems.

## Synchronized replay level

The customer uses Sentinel S/W to capture and synchronize replay from different data types. The replay key features are:

- Synchronized replay of multiple video audio, radar and database channels.
- Full control over playback speed and zoom level.
- Investigators toolset for the detail study of events, bookmarking and looping.
- Export formats including H264, AVI, JPEG etc.

## Specification

Video Sources	DVI / DP / HDMI / VGA
4K x 2K FRC 5	3840 x 2160
DVI DL FRC 3	2048 x 2160, 2560 x 1600, 2048 x 2048
DVI I FRC 4	DVI: 1920 x 1200 or VGA: 1600 x 1200
Networking	2 x 1000baseT Ethernet. UDP. SNMP Management.
Power Supply options	Power over Ethernet (dual). Power over USB (dual). 5V external (offline use).
Physical	Case: 12cm x 10.3 cm x 3 cm.
MTBF	125,000 hours (calculated).
Performance	DVI DL up to 30 FPS. DVI SL up to 60 FPS.
Compression	Typical ATC video: > 22,500:1 (at 8 FPS) > 3000:1 (Frame to frame).
Compliance	CE, FCC and ROHS

